



Certified to  
NSF/ANSI 61 & 372

Actuator  
Ready

## TBH Series True Union Ball Valves

1/4" TO 2" / DN8 TO DN50 PVC AND CPVC

### KEY FEATURES & BENEFITS

- System2™ Sealing Technology provides longer cycle life
- 250 PSI / 16 Bar, non-shock at 70°F / 23°C full pressure rating
- Consistent operating torque with adjustment-free design
- Lockout/Tagout mechanism that secures directly to valve body for enhanced safety
- Ergonomic handle for improved grip and comfort
- ISO mounting flange simplifies actuation
- Permanent markings, eliminates labels
- Integral footpad for skid or panel mount
- FPM or EPDM seals
- Double O-Ring stem seals
- Reversible PTFE seats – Standard
- Easy replacement for existing Hayward TB Series
- NSF / ANSI 61 and NSF / ANSI 372 Listed

### OPTIONS

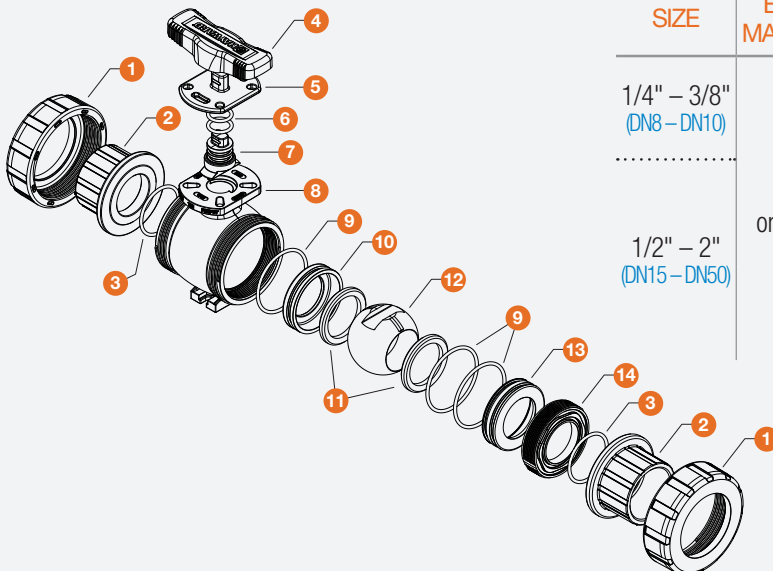
- Pneumatic or Electric Actuators
- Stem Extensions
- Manual Limit Switch
- Coupling for Actuator

### MATERIALS

- PVC per ASTM D1784 Cell Class 12454
- CPVC per ASTM D1784 Cell Class 23447
- GFPP per ASTM D4101 Cell Class 85580 (Handle & Lock Plate)

## TECHNICAL INFORMATION

### EXPLODED VIEW



### SELECTION CHART

SIZE	BODY MATERIAL	SEALS	END CONNECTION	PRESSURE RATING
1/4" – 3/8" (DN8 – DN10)	PVC or CPVC	FPM or EPDM	Socket or Threaded	250 PSI @ 70°F 16 Bar @ 21°C Non-Shock
1/2" – 2" (DN15 – DN50)			Socket or Threaded	250 PSI @ 70°F 16 Bar @ 21°C Non-Shock
			Flanged	150 PSI @ 70°F 10 Bar @ 21°C Non-Shock

\*\* PVC and CPVC socket ends available to ISO 727-1 and threaded ends to BS21.  
PP socket fusion ends per ASTM F2389 and threaded ends per BS21.  
Flanged ends available in DIN / EN PN10.

"Patent Pending"

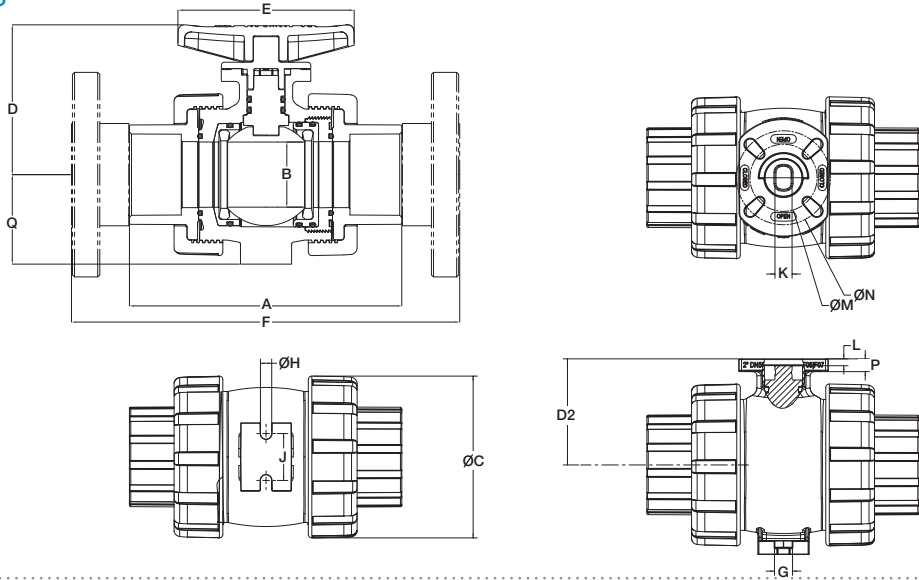
# TBH Series True Union Ball Valves

1/4" TO 2" / DN8 TO DN50 PVC AND CPVC

## TECHNICAL INFORMATION, CONTINUED

### PARTS LIST / 2D DRAWINGS

1. Nut (2)
2. End Connector (2)
3. End Connector O-Ring (2)
4. Handle
5. Lock Plate
6. Stem O-Rings (2)
7. Stem
8. Body
9. Seat Carrier O-Ring (3)
10. Closed End Seat Carrier
11. Seats (2)
12. Ball
13. Open End Seat Carrier
14. Seat Retainer



### DIMENSIONS – INCHES / MILLIMETERS

SIZE	A	B	C	D1	D2	E	F	G	H	J	K	L	M	N	P	Q
inches / DN	in / mm	in / mm	in / mm	in / mm	in / mm	in / mm	in / mm	in / mm	in / mm	in / mm	in / mm	in / mm	in / mm	in / mm	in / mm	in / mm
1/4 / 8	4.63 / 118	0.53 / 13	2.25 / 57	2.82 / 72	1.75 / 44	3.50 / 89	N/A	0.45 / 11	0.27 / 7	0.75 / 19	0.50 / 13	0.17 / 4	1.97 / 50	N/A	0.29 / 7	1.37 / 35
3/8 / 10	4.63 / 118	0.53 / 13	2.25 / 57	2.82 / 72	1.75 / 44	3.50 / 89	N/A	0.45 / 11	0.27 / 7	0.75 / 19	0.50 / 13	0.17 / 4	1.97 / 50	N/A	0.29 / 7	1.37 / 35
1/2 / 15	4.65 / 118	0.53 / 13	2.25 / 57	2.82 / 72	1.75 / 44	3.50 / 89	6.65 / 169	0.45 / 11	0.27 / 7	0.75 / 19	0.50 / 13	0.17 / 4	1.97 / 50	N/A	0.29 / 7	1.37 / 35
3/4 / 20	4.79 / 122	0.72 / 18	2.62 / 67	2.98 / 76	1.91 / 49	3.50 / 89	7.17 / 182	0.45 / 11	0.27 / 7	0.75 / 19	0.50 / 13	0.17 / 4	1.97 / 50	N/A	0.29 / 7	1.56 / 40
1 / 25	5.34 / 136	0.94 / 24	3.00 / 76	3.25 / 83	2.18 / 55	4.00 / 102	8.05 / 204	0.45 / 11	0.27 / 7	1.00 / 25	0.50 / 13	0.20 / 5	1.97 / 50	N/A	0.29 / 7	1.75 / 44
1-1/4 / 32	6.83 / 173	1.48 / 38	4.00 / 102	3.89 / 99	2.60 / 66	5.17 / 131	9.61 / 244	0.53 / 13	0.33 / 8	1.38 / 35	0.50 / 13	0.20 / 5	1.97 / 50	2.76 / 70	0.34 / 9	2.25 / 57
1-1/2 / 40	7.39 / 188	1.48 / 38	4.00 / 102	3.89 / 99	2.60 / 66	5.17 / 131	10.65 / 271	0.53 / 13	0.33 / 8	1.38 / 35	0.50 / 13	0.20 / 5	1.97 / 50	2.76 / 70	0.34 / 9	2.25 / 57
2 / 50	7.99 / 203	1.91 / 49	4.75 / 121	4.40 / 112	3.11 / 79	5.17 / 131	11.51 / 292	0.53 / 13	0.33 / 8	1.38 / 35	0.50 / 13	0.20 / 5	1.97 / 50	2.76 / 70	0.34 / 9	2.63 / 67

\* 1-1/4" and 1-1/2" are 0.56" (14mm) longer than TB Series.

\*\* Dimensions are subject to change without notice - consult factory for installation information.

### WEIGHT – LBS / KG

SIZE	Weight with Socket/Threaded Ends	Weight with Flanged Ends	Weight Bare Stem with Socket/Threaded Ends	Weight Bare Stem with Flanged Ends
inches / DN	lbs / kg	lbs / kg	lbs / kg	lbs / kg
1/2 / 15	0.70 / 0.32	1.12 / 0.51	0.59 / 0.27	1.01 / 0.46
3/4 / 20	0.90 / 0.41	1.50 / 0.68	0.79 / 0.36	1.39 / 0.63
1 / 25	1.18 / 0.54	1.98 / 0.90	1.05 / 0.48	1.85 / 0.84
1-1/4 / 32	2.57 / 1.17	3.51 / 1.59	2.32 / 1.05	3.26 / 1.48
1-1/2 / 40	2.62 / 1.19	3.82 / 1.73	2.37 / 1.08	3.57 / 1.62
2 / 50	3.87 / 1.76	6.37 / 2.89	3.62 / 1.64	6.12 / 2.78

### CV VALUES

SIZE	Cv VALUES
in / DN	
1/4 / 8	1.0
3/8 / 10	2.8
1/2 / 15	8.0
3/4 / 20	16.0
1 / 25	29.0
1-1/4 / 32	75.0
1-1/2 / 40	90.0
2 / 50	150.0

PRESSURE LOSS  
CALCULATION FORMULA

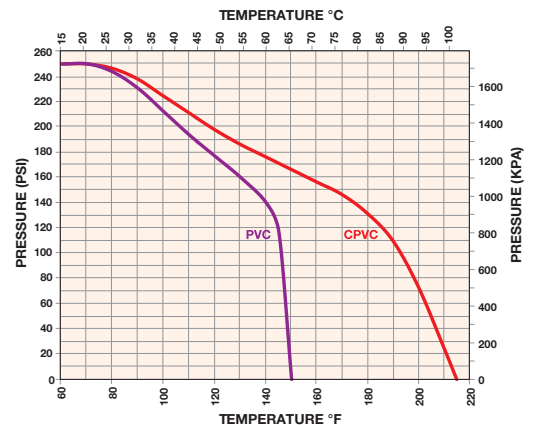
$$\Delta P = \left[ \frac{Q}{C_v} \right]^2$$

ΔP = Pressure Drop

Q = Flow in GPM

Cv = Flow Coefficient

### PRESSURE / TEMPERATURE CHART\*



\* Flanged valves rated to 150 PSI at 70°F non-shock



Hayward is a registered trademark of Hayward Industries, Inc. © 2018 Hayward Industries, Inc.

USA: 1.888.429.4635 • Fax: 1.888.778.8410 • One Hayward Industrial Drive • Clemmons, NC 27012 • Email: hfcsales@hayward.com

Canada: 1.888.238.7665 • Fax: 1.905.829.3636 • 2880 Plymouth Drive • Oakville, ON L6H 5R4 • Email: hfcanada@hayward.com

Visit us at: haywardflowcontrol.com